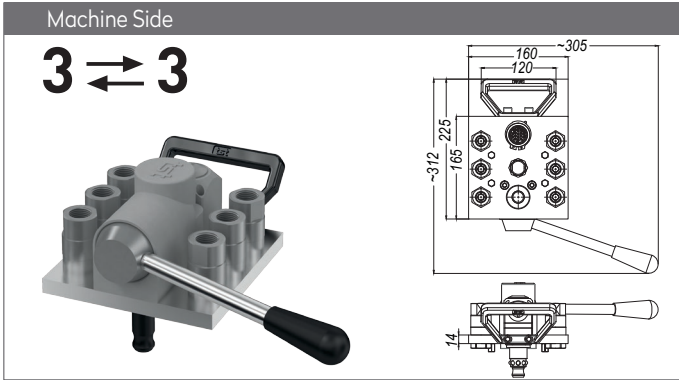
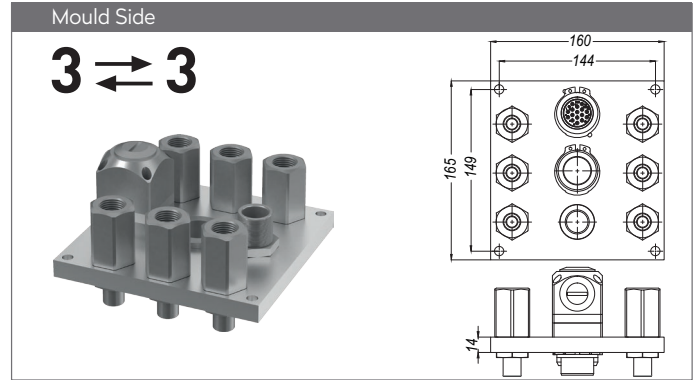


MULTICOUPLINGS (ELECTRICAL)  
MULTIKUPPLUNGEN (ELEKTRISCH)

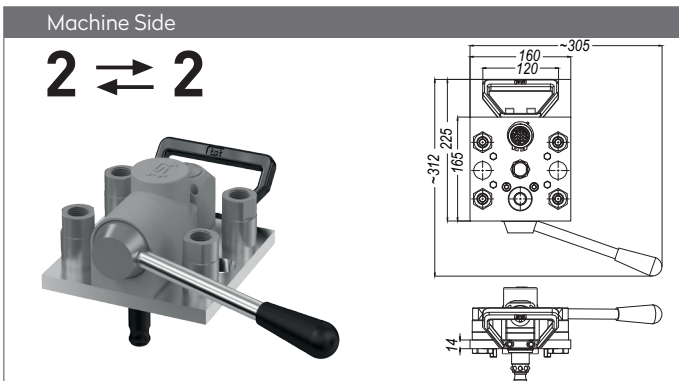
# SERIE 108ME



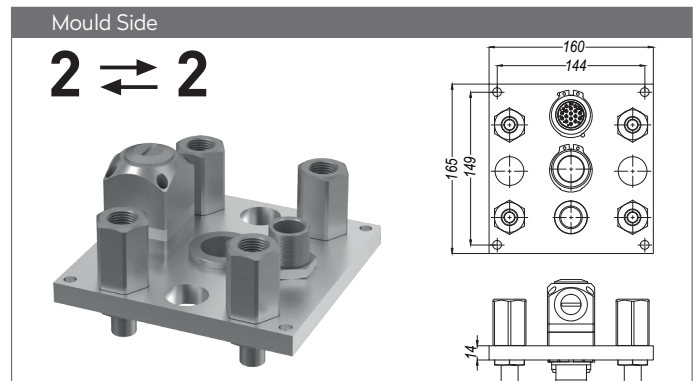
Part No.	Unit	Ø
	-	without couplings
MM104.08E-0706-Z14	6	104.08 DGB 21MP (1/2" BSP)
MM104.08E-0706-Z17	6	104.08 NGB 21MP (1/2" NPT)



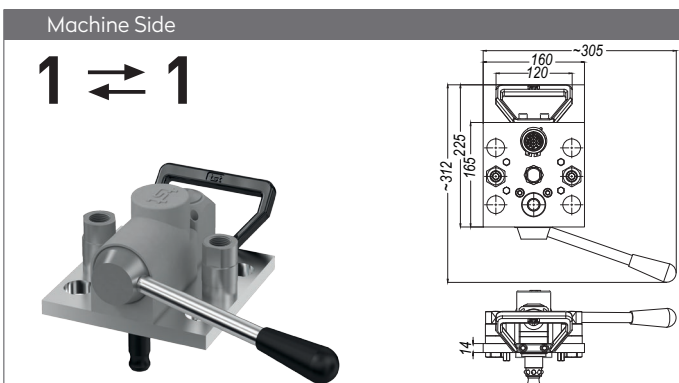
Part No.	Unit	Ø
	-	without plugs
MK104.08E-0706-Z14	6	104.08 DUB 21MP (1/2" BSP)
MK104.08E-0706-Z17	6	104.08 NUB 21MP (1/2" NPT)



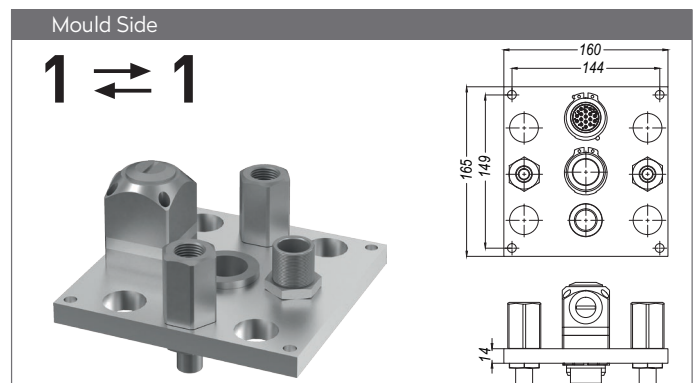
Part No.	Unit	Ø
	-	without couplings
MM104.08E-0706-Z15	4	104.08 DGB 21MP (1/2" BSP)
MM104.08E-0706-Z18	4	104.08 NGB 21MP (1/2" NPT)



Part No.	Unit	Ø
	-	without plugs
MK104.08E-0706-Z15	4	104.08 DUB 21MP (1/2" BSP)
MK104.08E-0706-Z18	4	104.08 NUB 21MP (1/2" NPT)



Part No.	Unit	Ø
	-	without couplings
MM104.08E-0706-Z16	2	104.08 DGB 21MP (1/2" BSP)
MM104.08E-0706-Z19	2	104.08 NGB 21MP (1/2" NPT)



Part No.	Unit	Ø
	-	without plugs
MK104.08E-0706-Z16	2	104.08 DUB 21MP (1/2" BSP)
MK104.08E-0706-Z19	2	104.08 NUB 21MP (1/2" NPT)