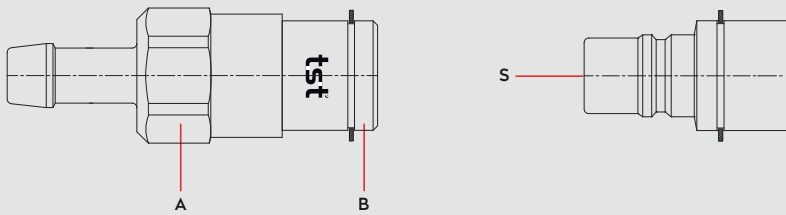


DN12

 MULTICOUPLINGS
 MULTIKUPPLUNGEN

SERIE 112M

Materials



Material Code

A = Brass

B = Brass

S = Brass Nickel Plated

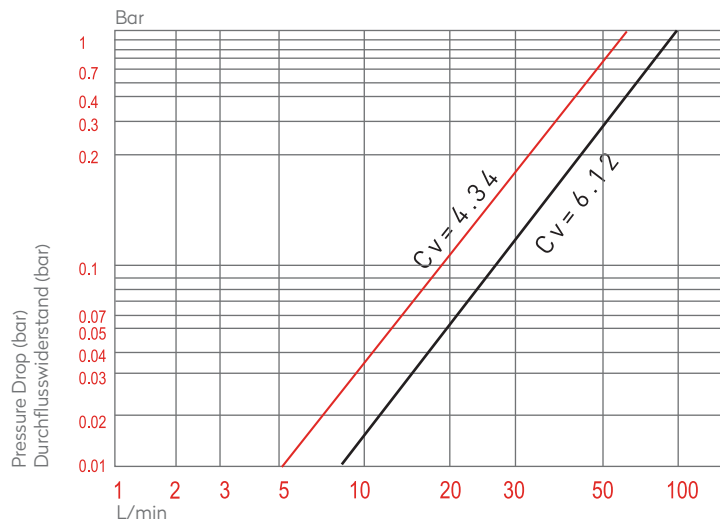
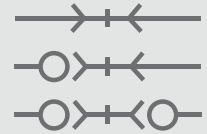


0 - 16 bar



-26°C to + 200°C (FPM)

Shut Off Type


— Double shut-off / Beidseitig absperrend

— (Single shut-off / Einseitig absperrend)

Options

HT

NICKEL

EPDM


 COUPLING
 PLUG

 OV 280 - 01600
 OV 157 - 01600
 OV 262 - 01075

OV 205 - 00870

Applications

- Temperature controlling

DN

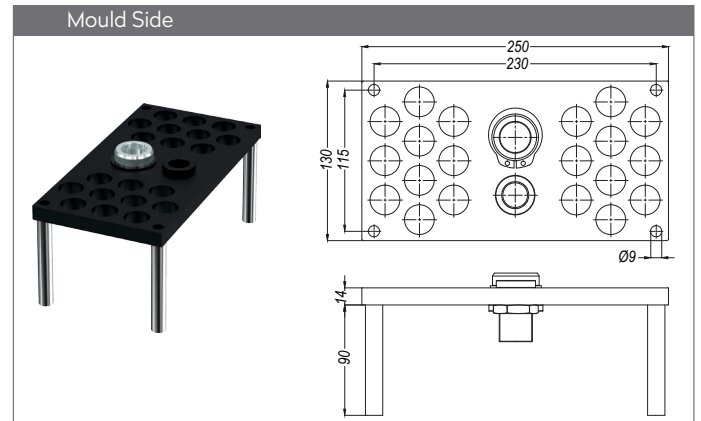
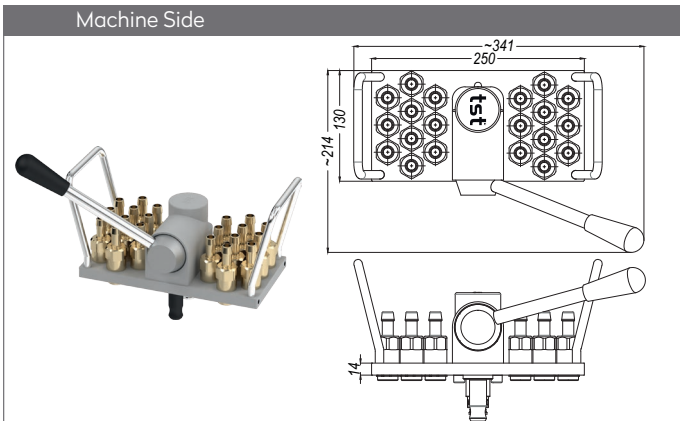
12 mm

Compatible with

SERIE 112M

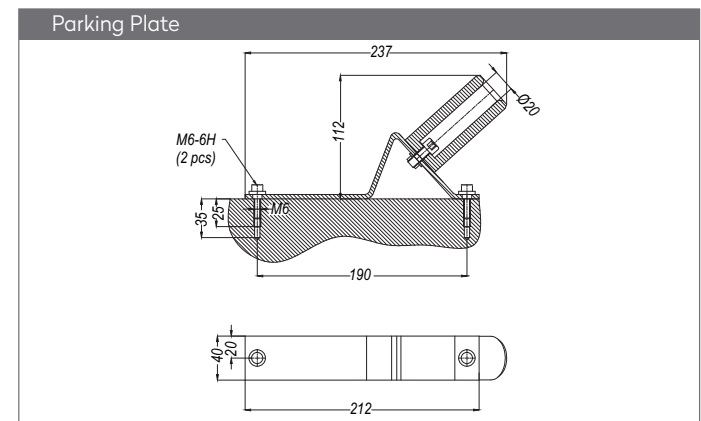
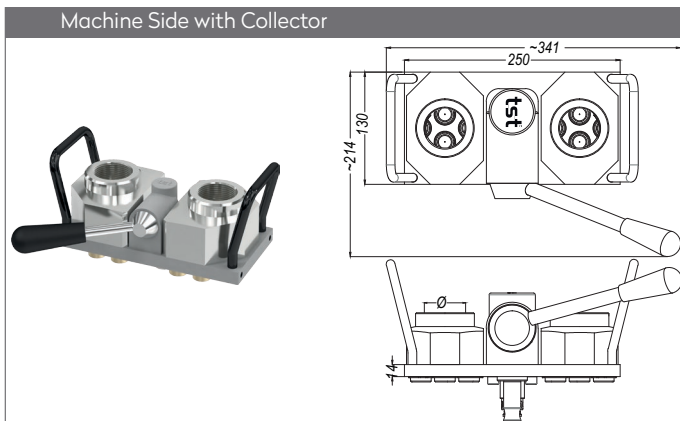
Multi Couplings Systems for quick changing of injection moulding and die cast equipments

Multikupplungensysteme für schnelles Wechseln und Verbinden der Kokillen und Spritzgußformen



Part No.	Unit	Ø
MM112.20	-	without couplings
MM112.20 HGB 13	20	Hose tail 13 mm
MM112.20 HGB 16	20	Hose tail 16 mm
MM112.20 FGB 13	20	Push-Lock Hose tail 13 mm
MM112.20 FGB 16	20	Push-Lock Hose tail 16 mm
MM112.20 DGB 21	20	BSP female 1/2"
MM112.20 NGB 21	20	NPT female 1/2"

Part No.	Unit	Ø
MK112.20	-	without plugs
MK112.20 DUB 21	20	BSP female 1/2" with valve
MK112.20 NUB 21	20	NPT female 1/2" with valve
MK112.20 DU 21	20	BSP female 1/2" without valve
MK112.20 NU 21	20	NPT female 1/2" without valve



Part No.	Unit	Ø
MM112.20C	20	BSP female 1 1/2"
MM112.20CN	20	NPT female 1 1/2"

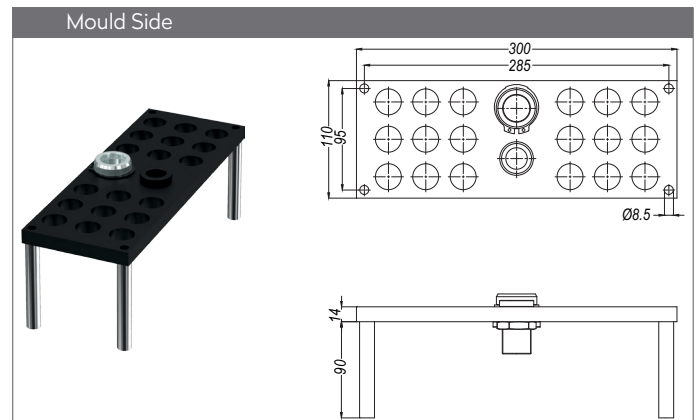
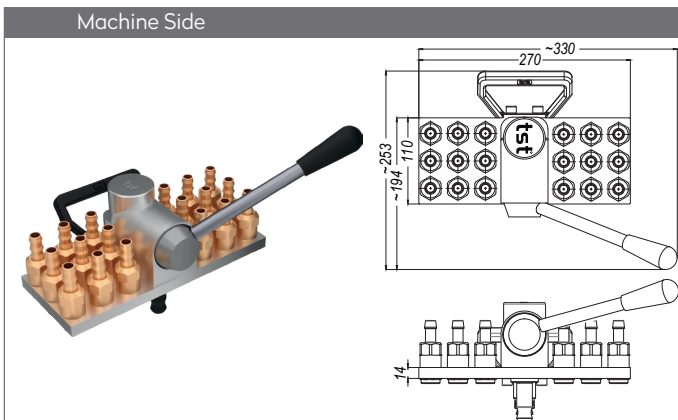
Part No.
MM108.06 P

9 ↔ 9

SERIE 112M

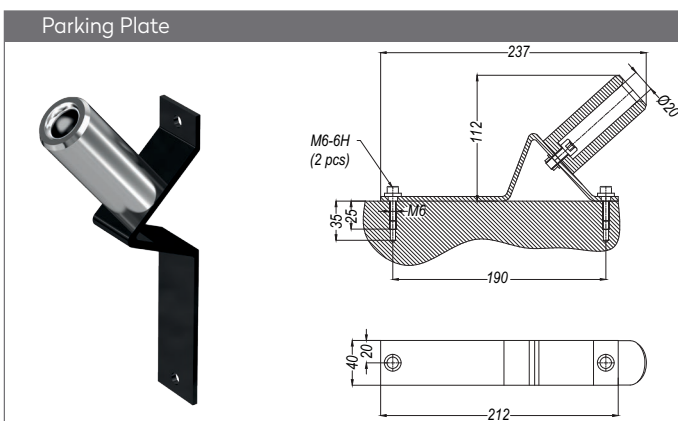
Multi Couplings Systems for quick changing of injection moulding and die cast equipments

Multikupplungensysteme für schnelles Wechseln und Verbinden der Kokillen und Spritzgußformen



Part No.	Unit	Ø
MM112.18	-	without couplings
MM112.18 HGB 13	18	Hose tail 13 mm
MM112.18 HGB 16	18	Hose tail 16 mm
MM112.18 FGB 13	18	Push-Lock Hose tail 13 mm
MM112.18 FGB 16	18	Push-Lock Hose tail 16 mm
MM112.18 DGB 21	18	BSP female 1/2"
MM112.18 NGB 21	18	NPT female 1/2"

Part No.	Unit	Ø
MK112.18	-	without plugs
MK112.18 DUB 21	18	BSP female 1/2" with valve
MK112.18 NUB 21	18	NPT female 1/2" with valve
MK112.18 DU 21	18	BSP female 1/2" without valve
MK112.18 NU 21	18	NPT female 1/2" without valve

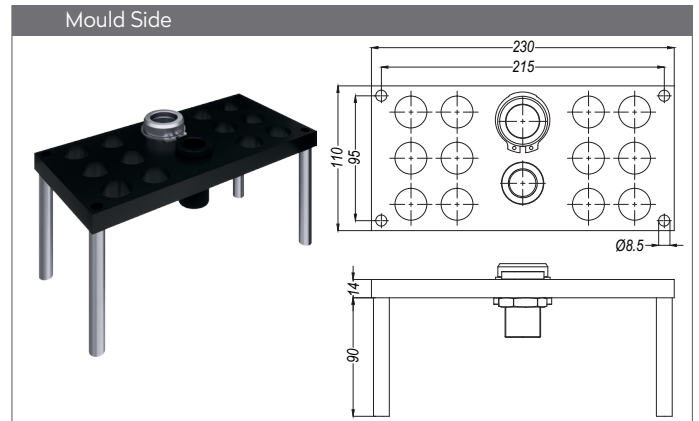
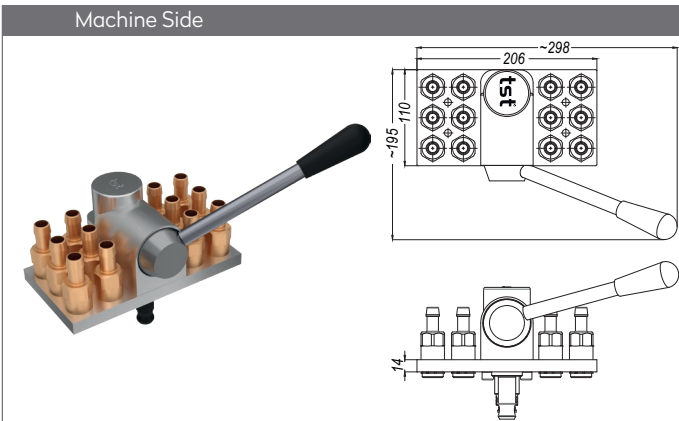


Part No.
MM108.06 P

SERIE 112M

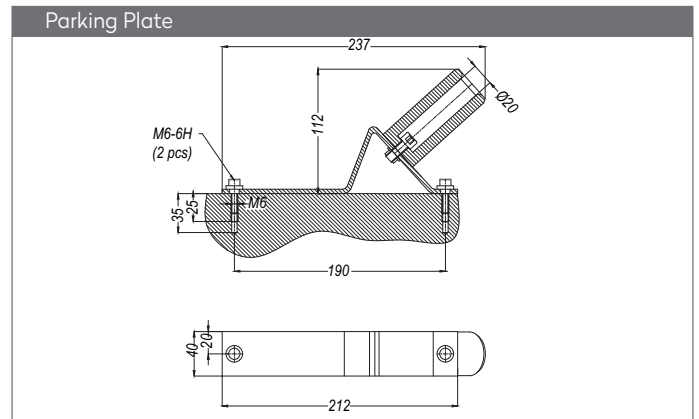
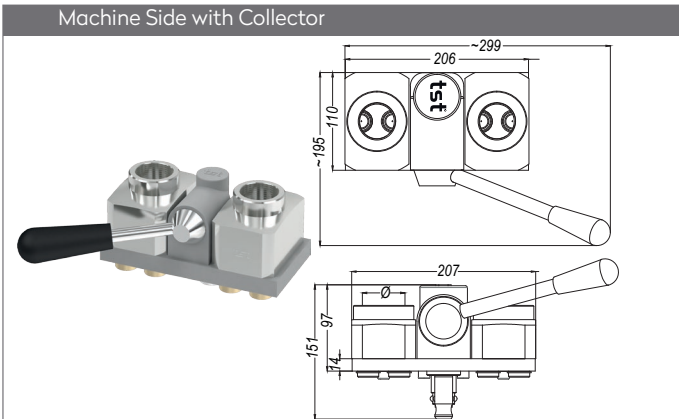
Multi Couplings Systems for quick changing of injection moulding and die cast equipments

Multikupplungensysteme für schnelles Wechseln und Verbinden der Kokillen und Spritzgußformen



Part No.	Unit	Ø
MM112.12	-	without couplings
MM112.12 HGB 13	12	Hose tail 13 mm
MM112.12 HGB 16	12	Hose tail 16 mm
MM112.12 FGB 13	12	Push-Lock Hose tail 13 mm
MM112.12 FGB 16	12	Push-Lock Hose tail 16 mm
MM112.12 DGB 21	12	BSP female 1/2"
MM112.12 NGB 21	12	NPT female 1/2"

Part No.	Unit	Ø
MK112.12	-	without plugs
MK112.12 DUB 21	12	BSP female 1/2" with valve
MK112.12 NUB 21	12	NPT female 1/2" with valve
MK112.12 DU 21	12	BSP female 1/2" without valve
MK112.12 NU 21	12	NPT female 1/2" without valve



Part No.	Unit	Ø
MM112.12C33	12	BSP female 1"
MM112.12C42	12	BSP female 1 1/4"
MM112.12C48	12	BSP female 1 1/2"

Part No.
MM108.06 P

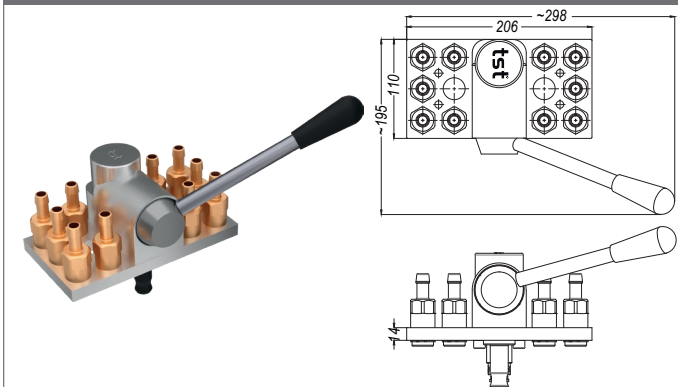
5 ↔ 5

SERIE 112M

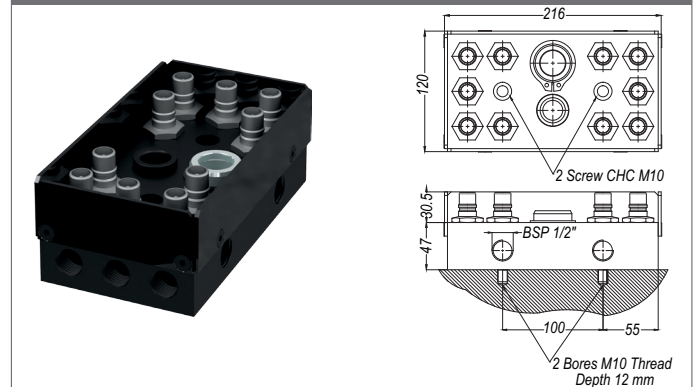
Multi Couplings Systems for quick changing of injection moulding and die cast equipments

Multikupplungensysteme für schnelles Wechseln und Verbinden der Kokillen und Spritzgußformen

Machine Side



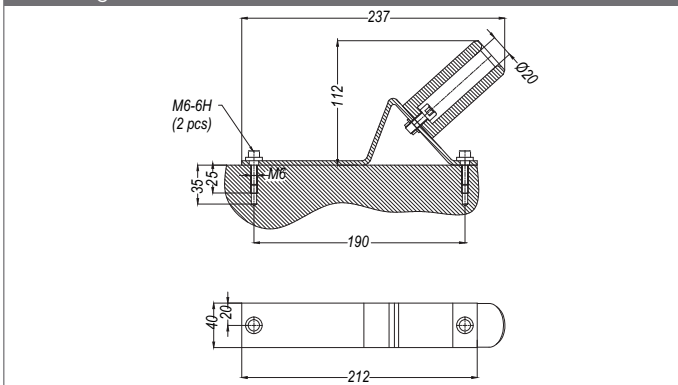
Mould Side



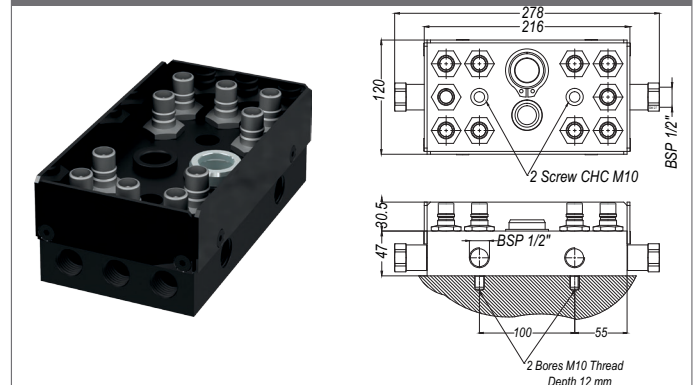
Part No.	Unit	Ø
MM112.12	-	without couplings
MM112.10 HGB 13	10	Hose tail 13 mm
MM112.10 HGB 16	10	Hose tail 16 mm
MM112.10 FGB 13	10	Push-Lock Hose tail 13 mm
MM112.10 FGB 16	10	Push-Lock Hose tail 16 mm
MM112.10 DGB 21	10	BSP female 1/2"
MM112.10 NGB 21	10	NPT female 1/2"

Part No.	Unit	Ø
MK112.10	10	BSP male 3/4" without valve
MK112.10V	10	BSP male 3/4" with valve

Parking Plate



Mould Side



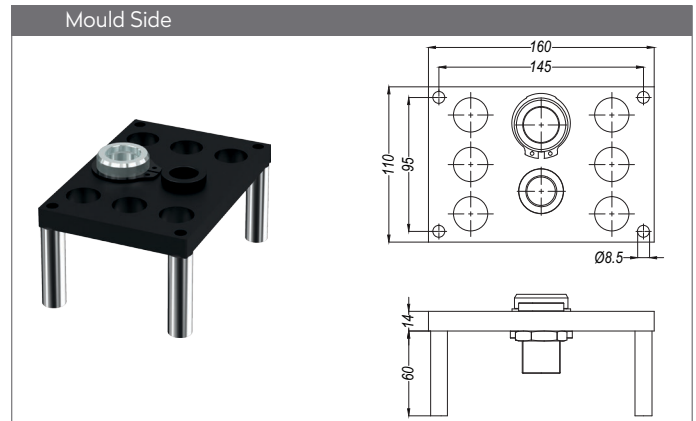
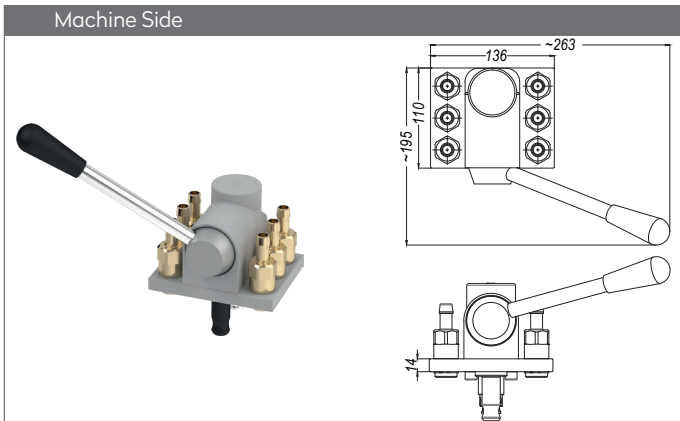
Part No.
MM108.06 P

Part No.	Unit	Ø
MK112.10EN21	10	BSP male 3/4" without valve
MK112.10EN21V	10	BSP male 3/4" with valve

SERIE 112M

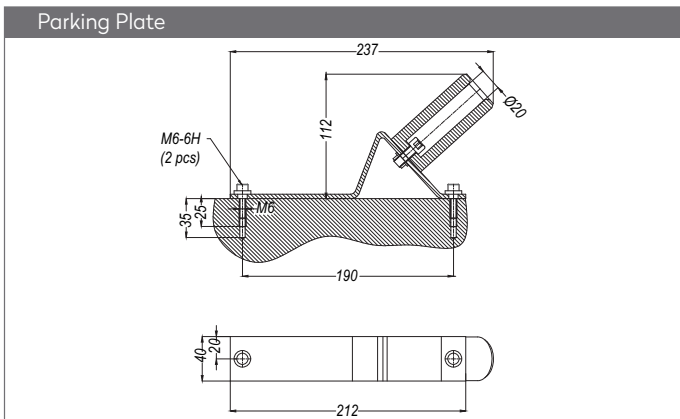
Multi Couplings Systems for quick changing of injection moulding and die cast equipments

Multikupplungensysteme für schnelles Wechseln und Verbinden der Kokillen und Spritzgußformen



Part No.	Unit	Ø
MM112.06	-	without couplings
MM112.06 HGB 13	6	Hose tail 13 mm
MM112.06 HGB 16	6	Hose tail 16 mm
MM112.06 FGB 13	6	Push-Lock Hose tail 13 mm
MM112.06 FGB 16	6	Push-Lock Hose tail 16 mm
MM112.06 DGB 21	6	BSP female 1/2"
MM112.06 NGB 21	6	NPT female 1/2"

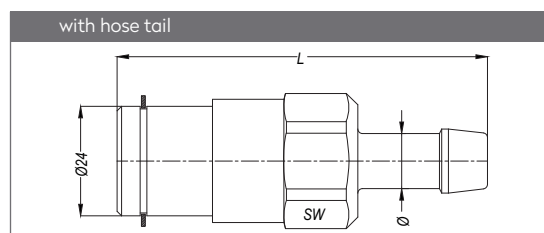
Part No.	Unit	Ø
MK112.06	-	without plugs
MK112.06 DUB 21	6	BSP female 1/2" with valve
MK112.06 NUB 21	6	NPT female 1/2" with valve
MK112.06 DU 21	6	BSP female 1/2" without valve
MK112.06 NU 21	6	NPT female 1/2" without valve



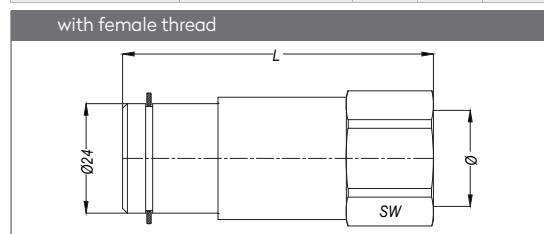
Part No.
MM108.06 P

SERIE 112M

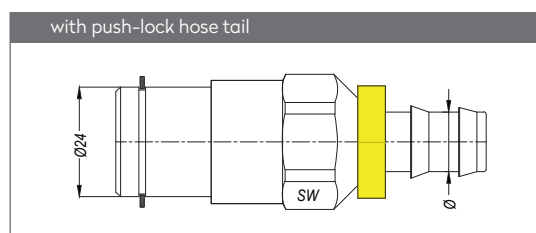
QUICK COUPLINGS SCHNELLKUPPLUNGEN



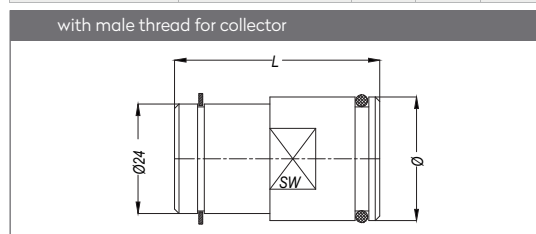
With Valve	Without Valve	SW	Ø	L
MM112 HGB 13	MM112 HGF 13	27	13	80.8
MM112 HGB 16	MM112 HGF 16	27	16	80.8



With Valve	Without Valve	SW	Ø	L
MM112 DGB 21	MM112 DGF 21	27	BSP 1/2"	67.8
MM112 NGB 21	MM112 NGF 21	27	NPT 1/2"	65.8

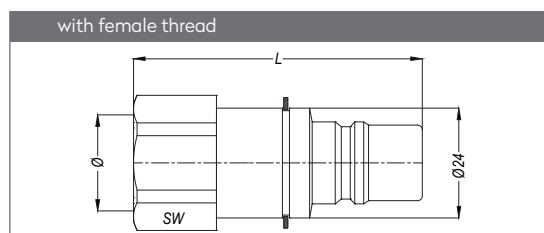


With Valve	Without Valve	SW	Ø	L
MM112 FGB 13	MM112 FGF 13	27	13	80.8
MM112 FGB 16	MM112 FGF 16	27	16	80.8

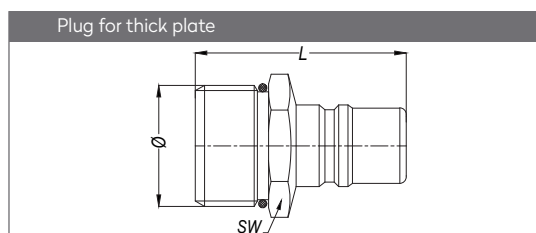


With Valve	Without Valve	SW	Ø	L
MM112 EGB 00	-	25	27	44.8

PLUGS STECKNIPPEL

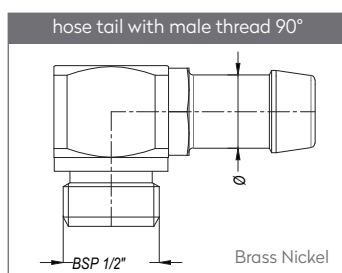


With Valve	Without Valve	SW	Ø	L
MK112 DUB 21	MK112 DUF 21	27	BSP 1/2"	63
MK112 NUB 21	MK112 NUF 21	27	NPT 1/2"	63

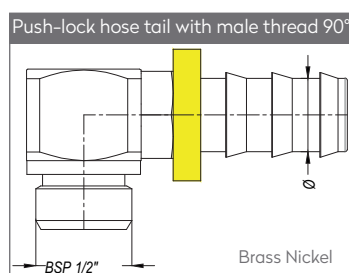


With Valve	Without Valve	SW	Ø	L
101.12 EUB 26	101.12 EUF 26	27	BSP 3/4"	46

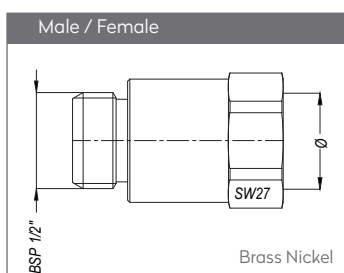
ACCESSORIES ZUBEHÖR



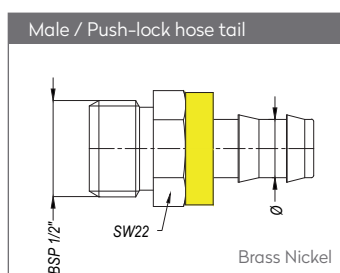
Part No.	Ø
112 EB 21.13	13
112 EB 21.16	16



Part No.	Ø
112 EF 21.13	13
112 EF 21.16	16



Part No.	Ø
112 EN 21	BSP 1/2"
112 NN 21	NPT 1/2"



Part No.	Ø
EHF 21-13	13
EHF 21-16	16